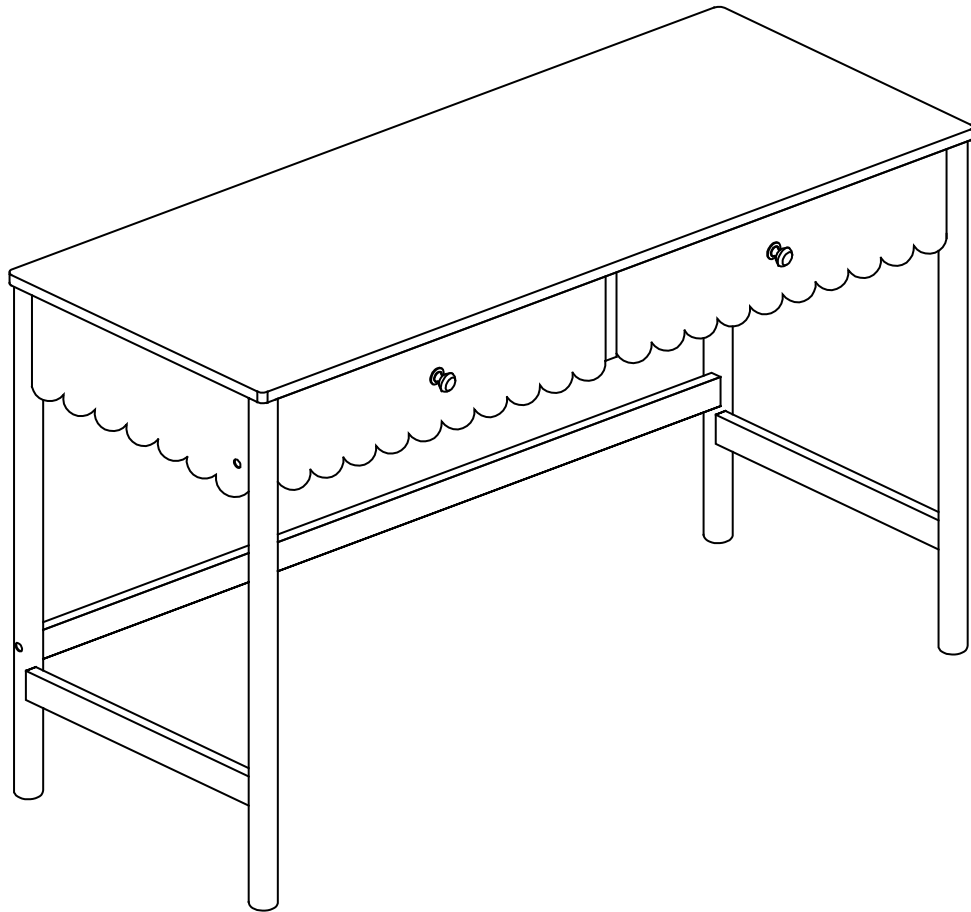


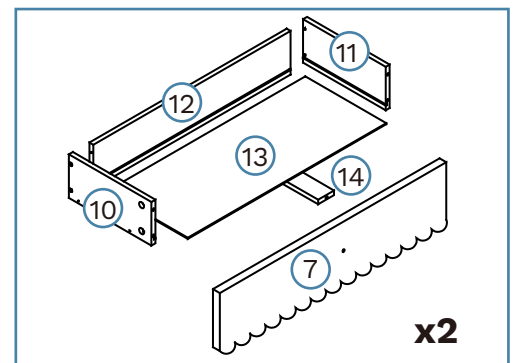
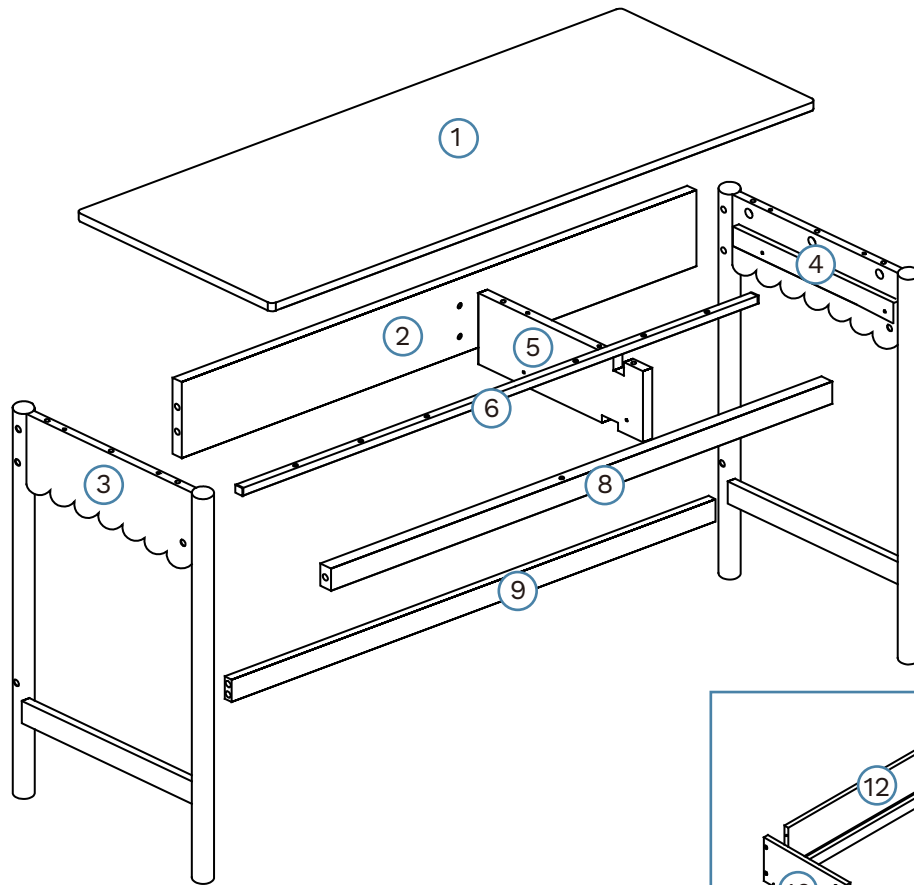
Maisie Scalloped Desk

Thank you for your purchase. Please follow the instructions for correct assembly. While we took great effort to ensure these assembly instructions were correct at the time of printing, sometimes updates are required post production. For the most up to date versions please refer to the product page on our website. mocka.com.au/mocka.co.nz



Maisie Scalloped Desk

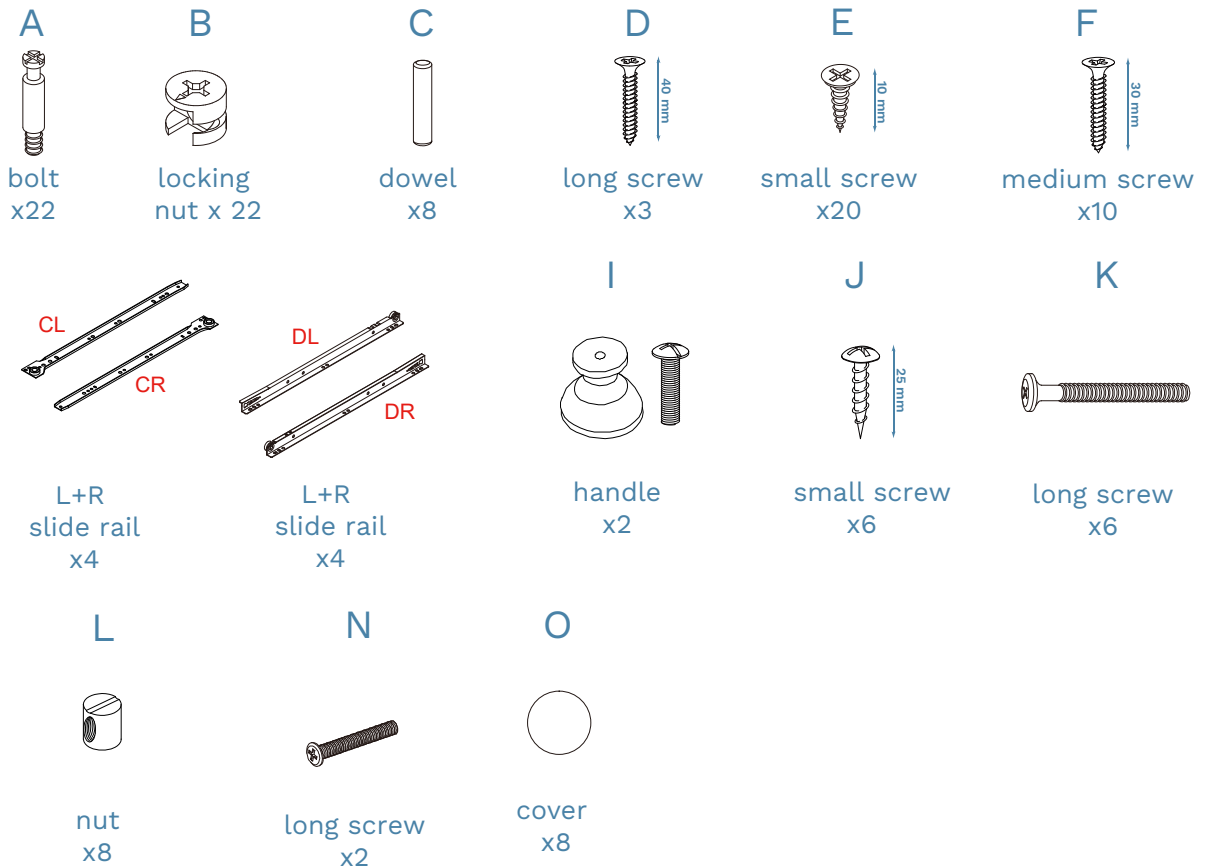
Panel Layout



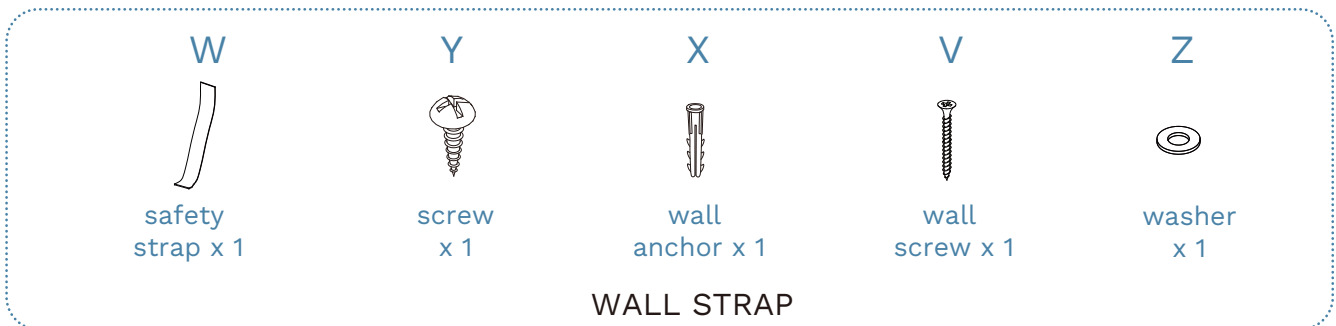
Partlist

①	Top Panel	x1	⑧	Slats	x1
②	Back Rail	x1	⑨	Slats	x1
③	left Side Panel	x1	⑩	Left Drawer Side	x2
④	Right Side Panel	x1	⑪	Right Drawer Side	x2
⑤	Divider	x1	⑫	Back Panel	x2
⑥	Metal Bar	x1	⑬	Drawer Base	x2
⑦	Drawer Front	x2	⑭	Drawer Base Support	x2

Maisie Scalloped Desk

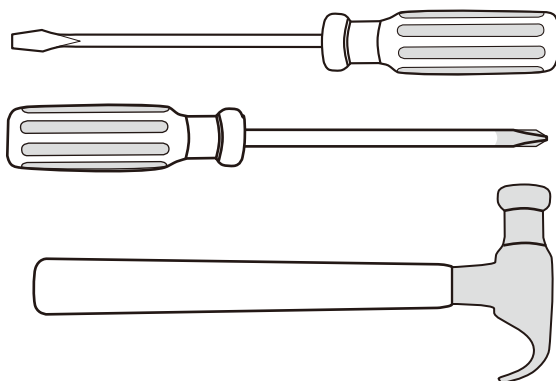


HARDWARE SUPPLIED



WALL STRAP

WARNING: Any furniture that is not anchored to a wall has the potential to tip over in certain circumstances, i.e. if a child attempts to climb up on the furniture or in the event of an earthquake. Accordingly, we recommend that all furniture is anchored to a wall. We supply a free safety wall anchor with all furniture sold and we recommend these are used to prevent your product tipping. The fixing device provided should fit most wall types, but please note that different wall materials may require different fixing devices from those supplied.

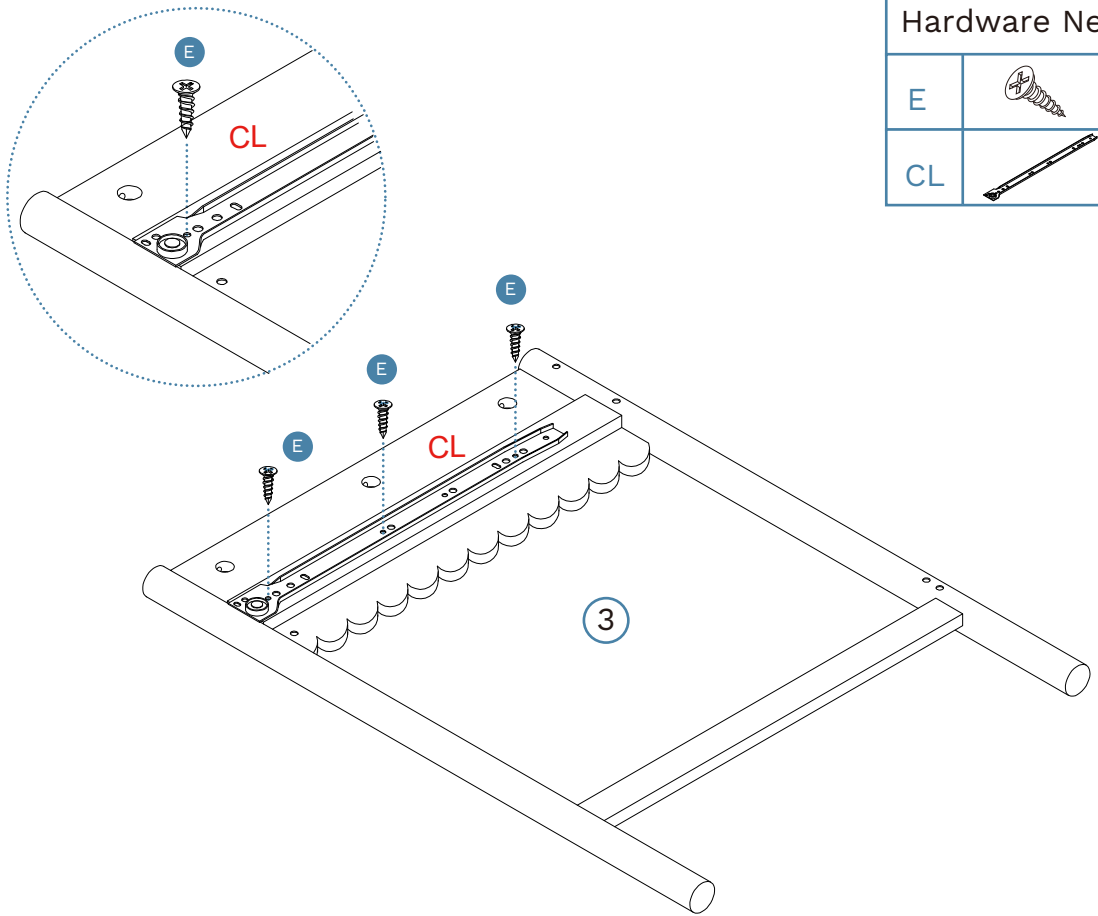




Phillips & Flathead screwdrivers
and hammer required

For quicker assembly, we recommend the use of a power drill on a low-speed setting.

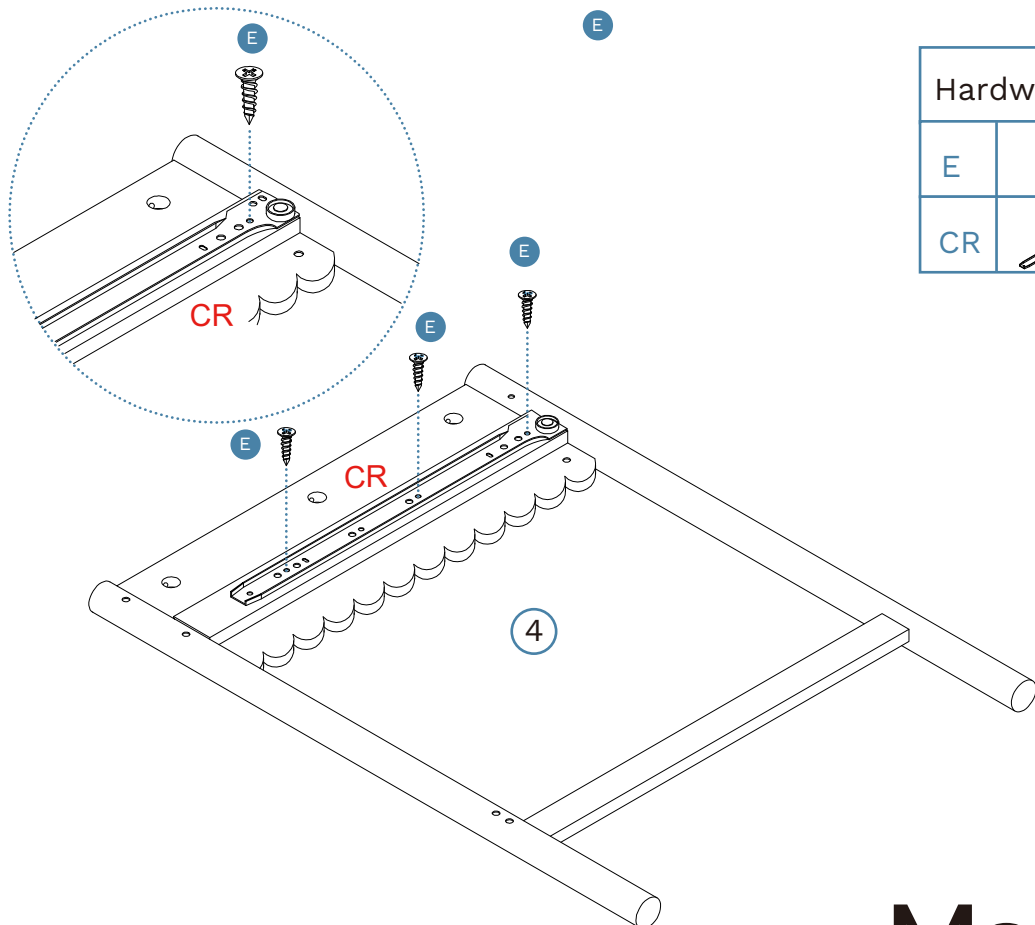
Maisie Scalloped Desk



1



Hardware Needed		
E		x3
CL		x1

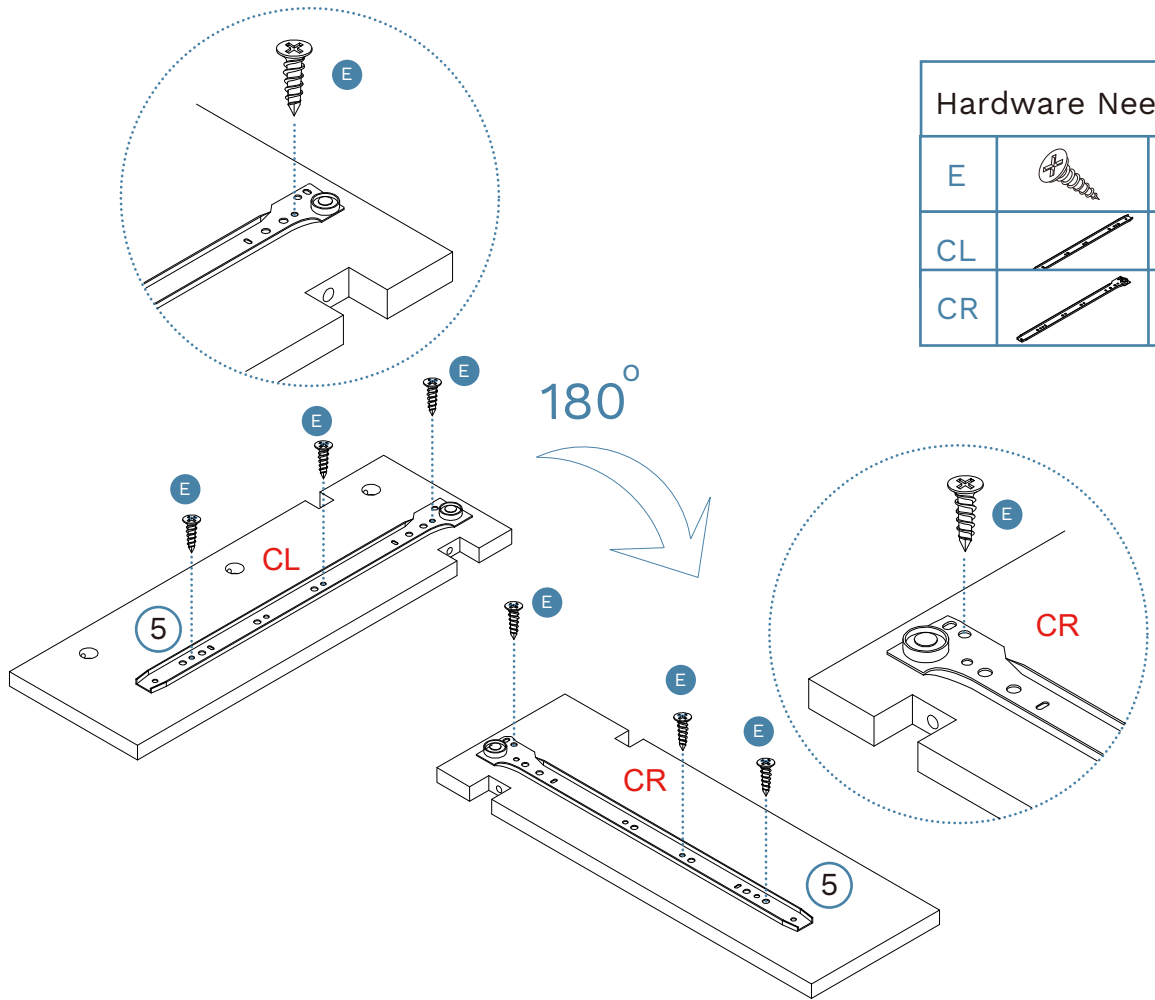
2



Hardware Needed		
E		x3
CR		x1

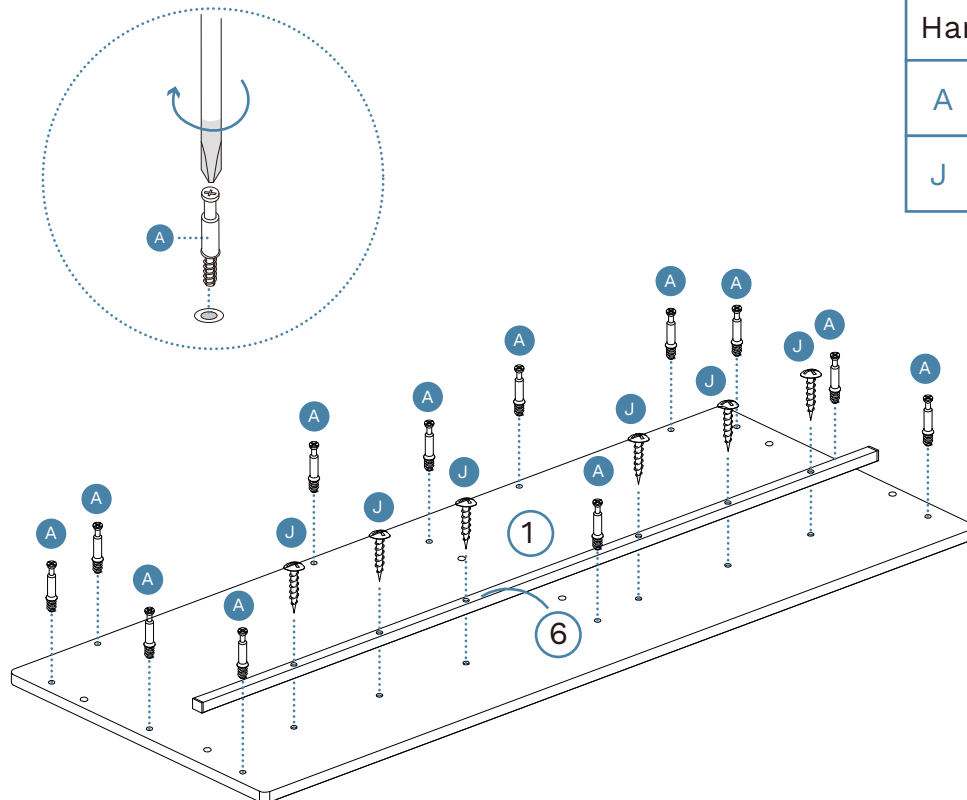
Maisie Scalloped Desk

3



Hardware Needed		
E		x6
CL		x1
CR		x1

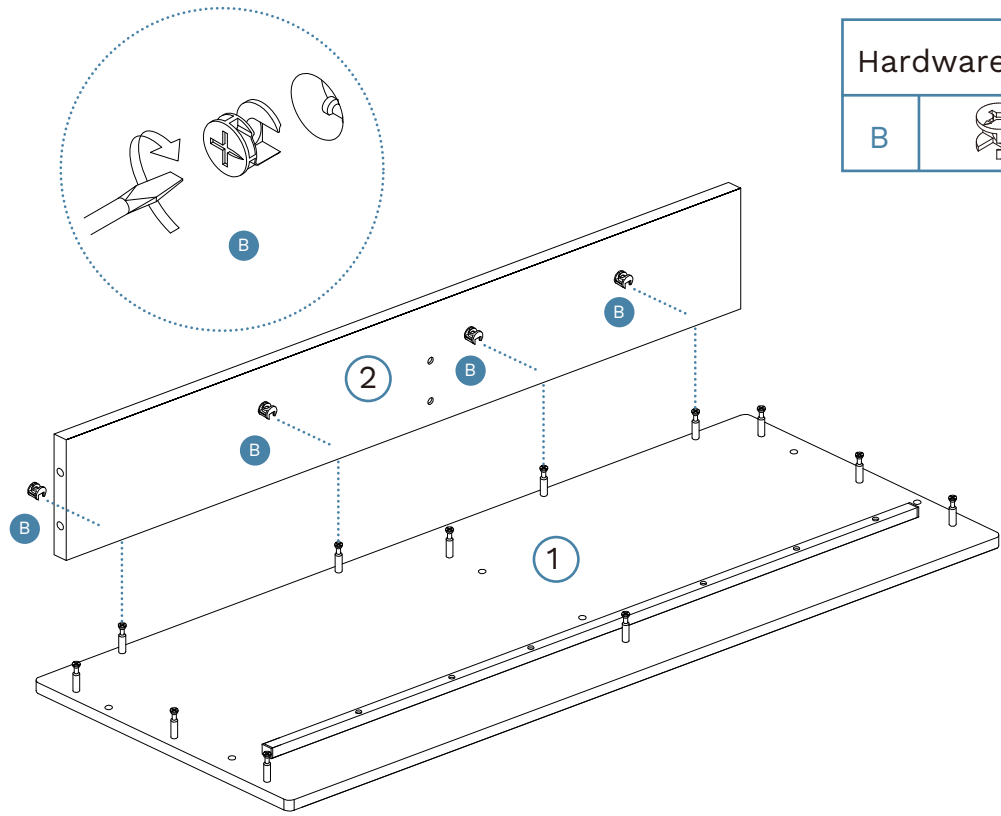
4



Hardware Needed		
A		x12
J		x6

Maisie Scalloped Desk

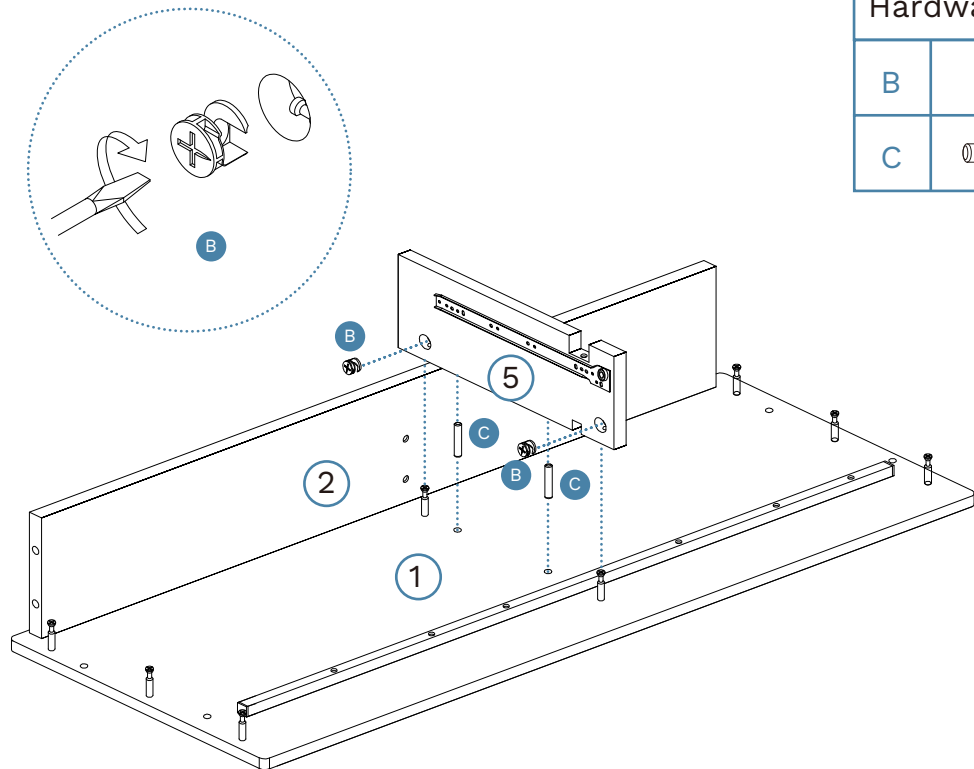
5





Hardware Needed

B		x4
---	---	----

6

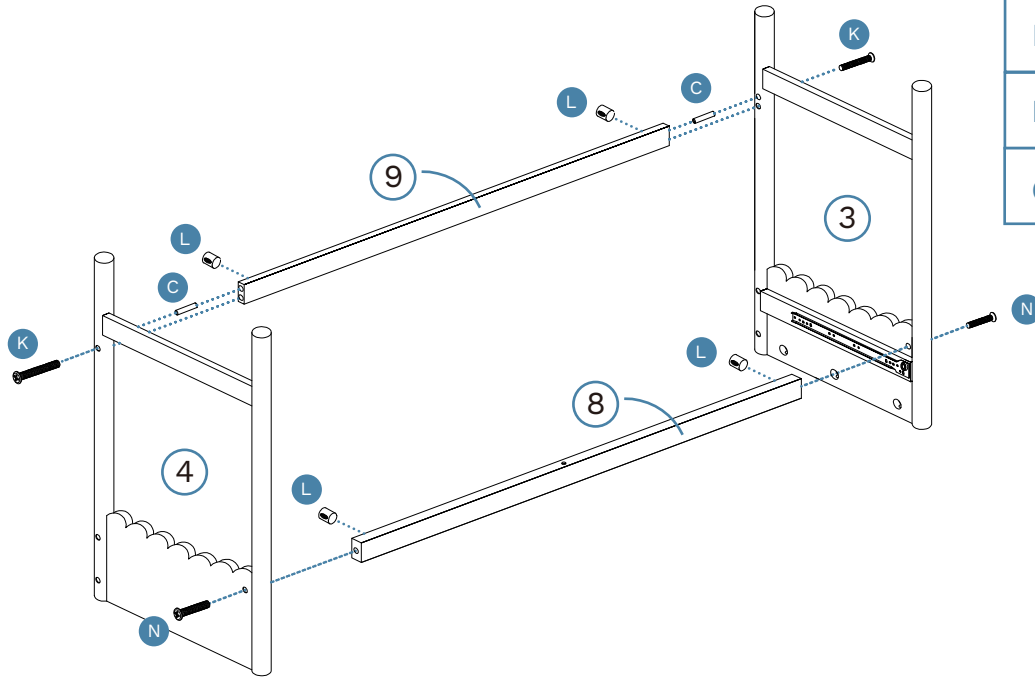




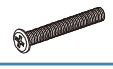

Hardware Needed

B		x2
C		x2

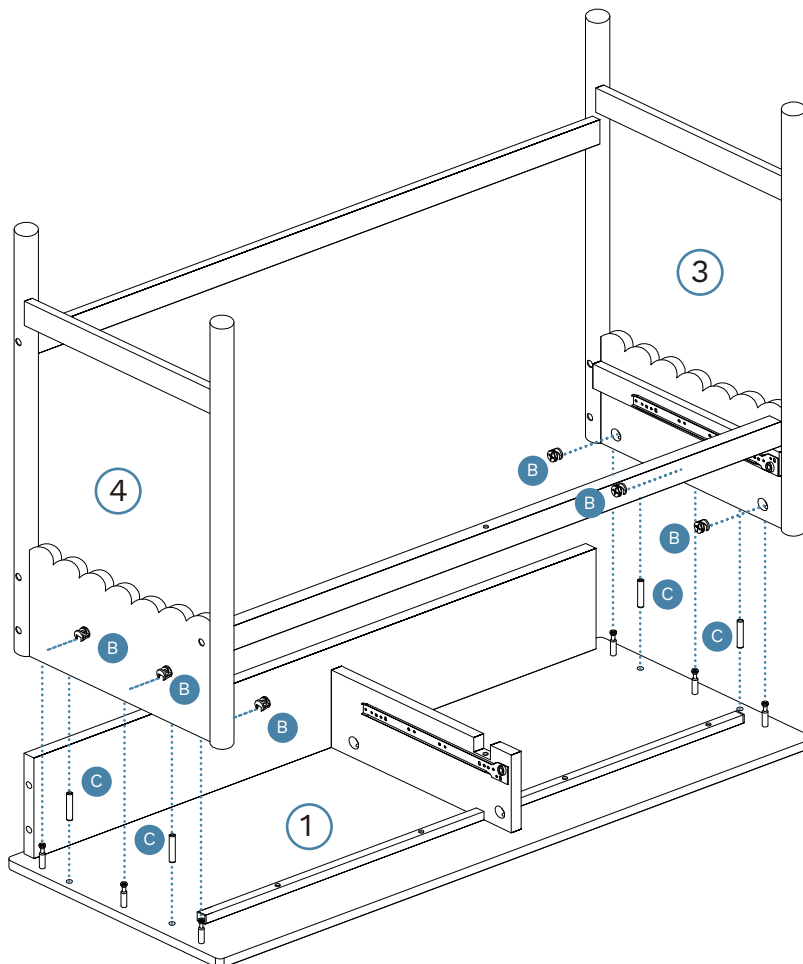
Maisie Scalloped Desk


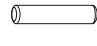
7



Hardware Needed		
L		x4
K		x2
N		x2
C		x2

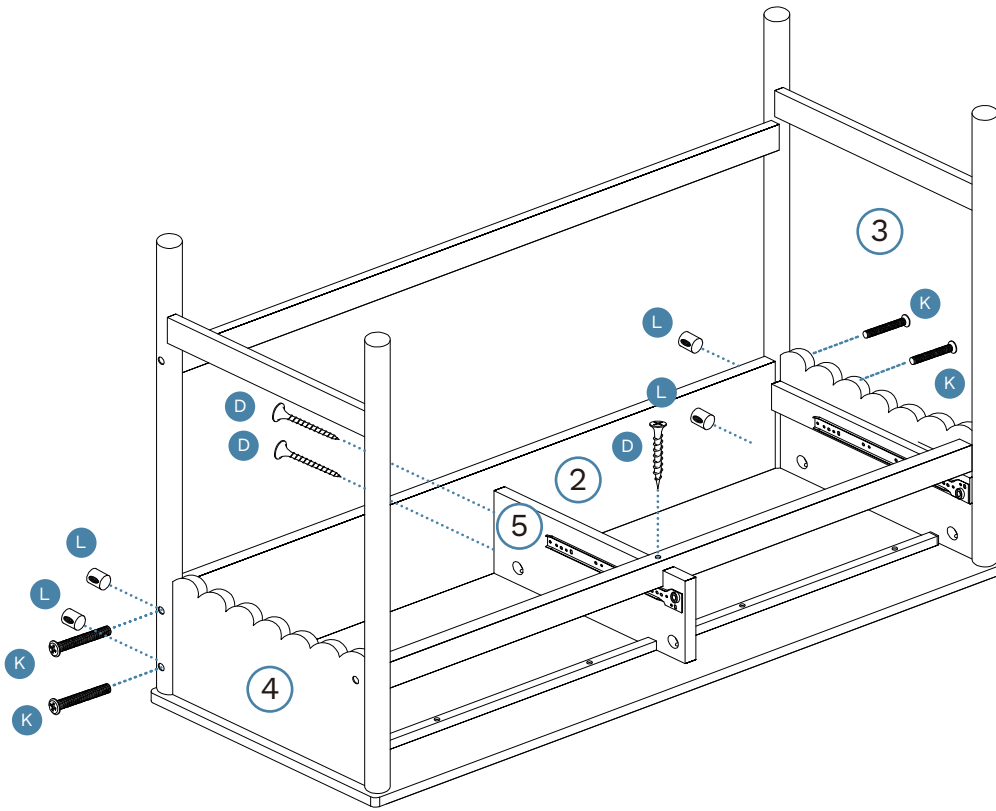
8






Hardware Needed		
B		x6
C		x4

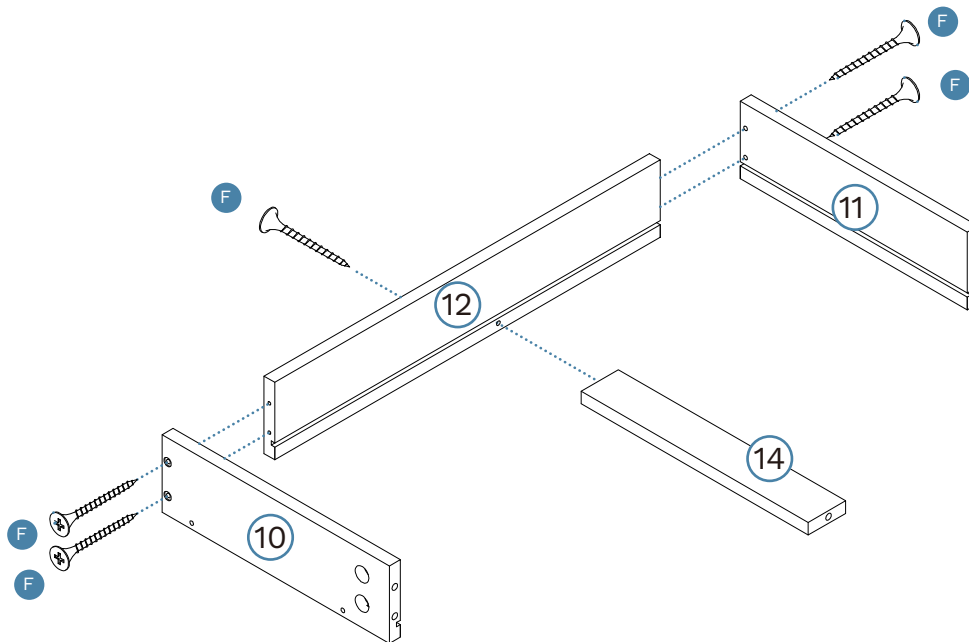
Maisie Scalloped Desk


9



Hardware Needed		
L		x4
K		x4
D		x3

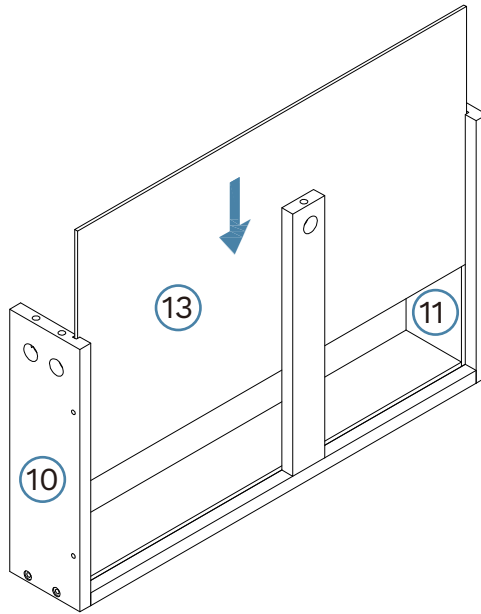
10 Drawers x 2



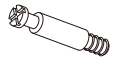

Hardware Needed		
F		x10

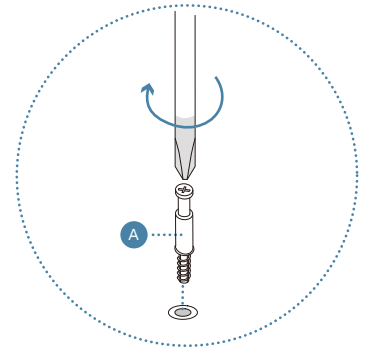
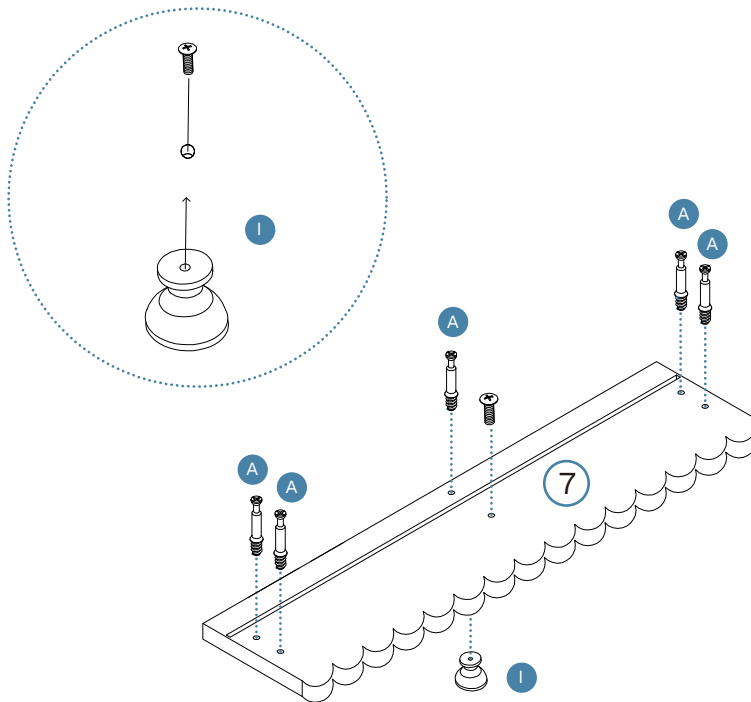
Maisie Scalloped Desk

11 Drawers x 2




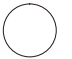
12 Drawers x 2

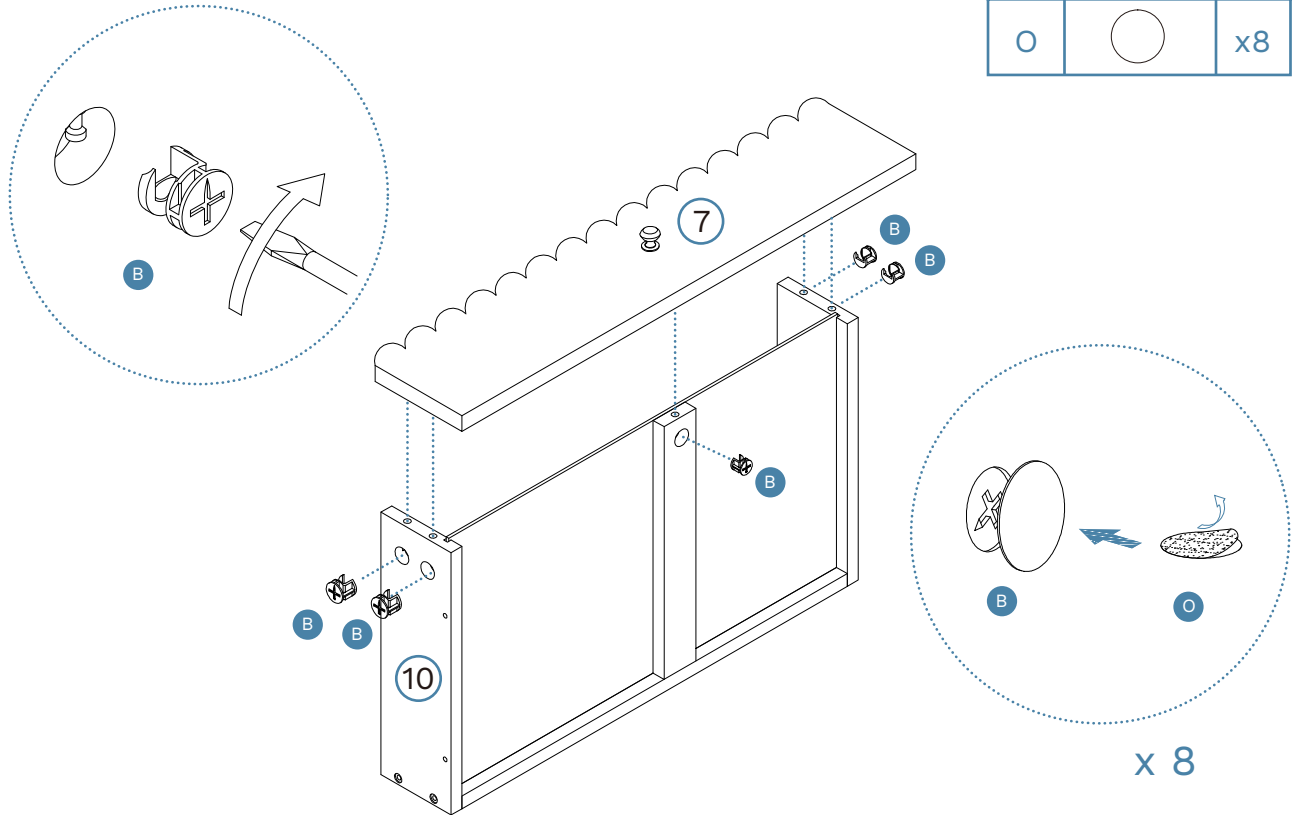
Hardware Needed		
A		x10
I		x2






Maisie Scalloped Desk

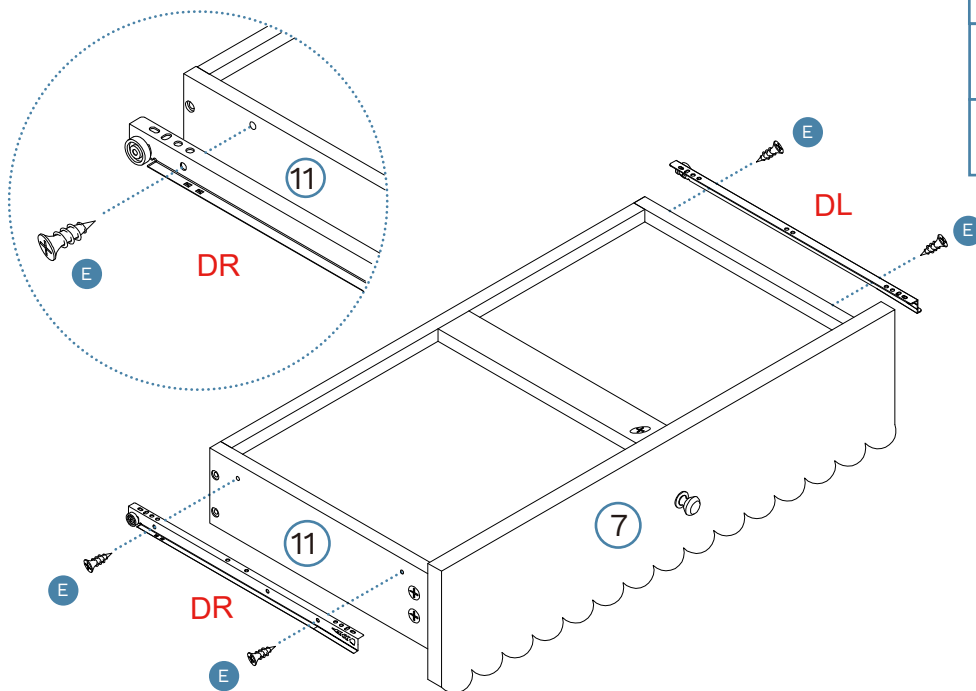
13 Drawers x 2

Hardware Needed		
B		x10
O		x8



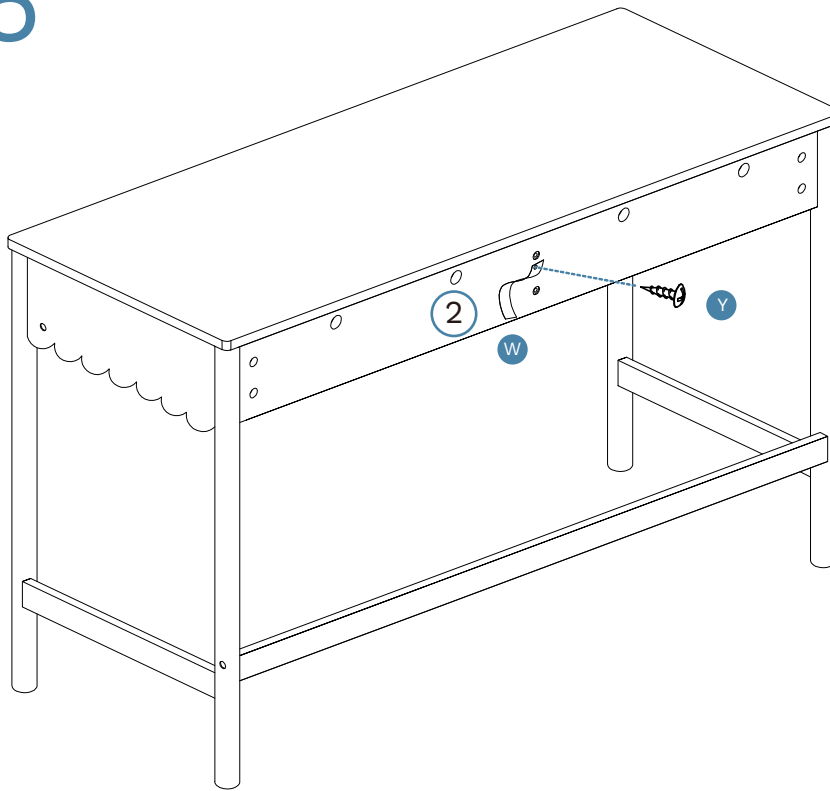
14 Drawers x 2



Hardware Needed		
E		x8
DL		x2
DR		x2



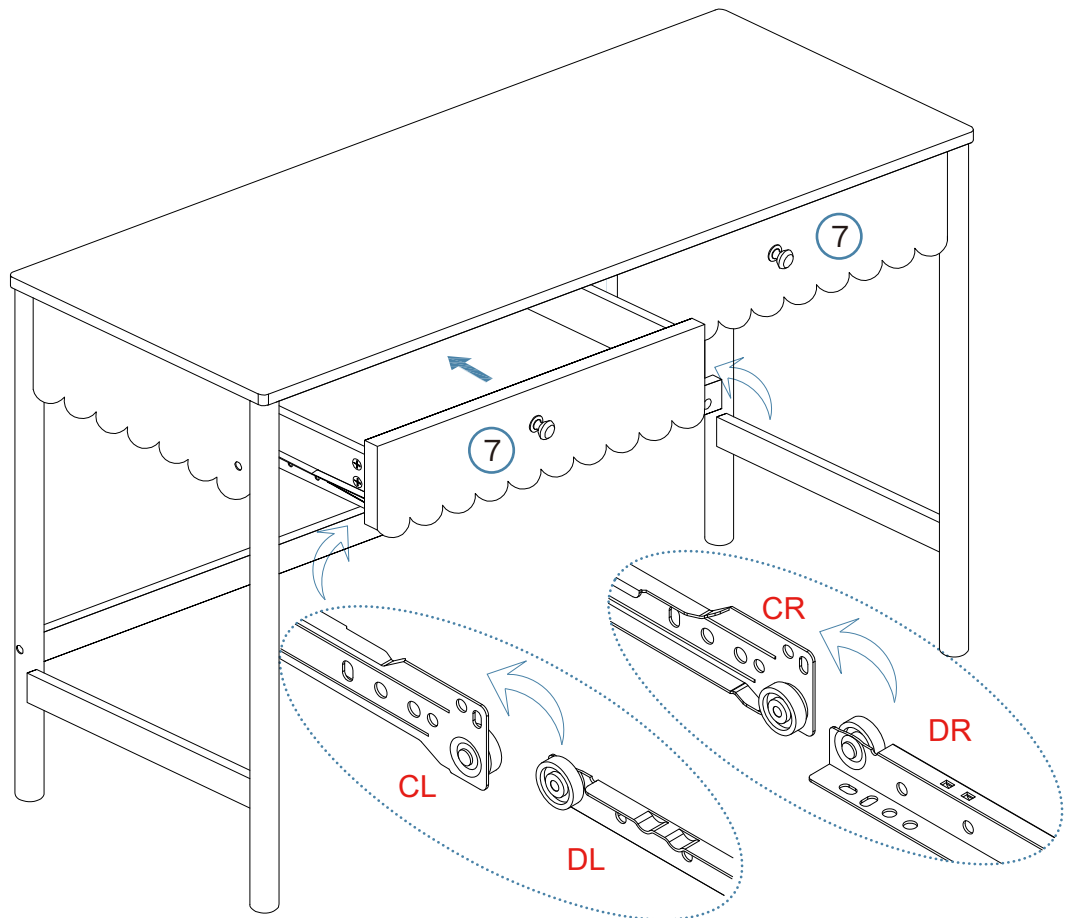
Maisie Scalloped Desk

15



Hardware Needed		
Y		x1
W		x1

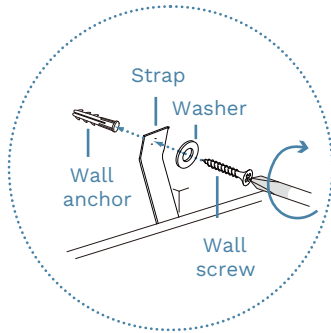
16



Carefully insert the drawers into the unit by gently guiding the runners into the tracks.

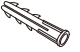


Maisie Scalloped Desk

17



Note: Seek advice from a qualified trades person on how to attach this safety strap to your specific wall. Once assembled lift furniture into place, do not drag.

Hardware Needed

X		x1
V		x1
Z		x1

